

HOT DIP GALVANISED PIVOTABLE CAMERA MAST.

FEATURES AND BENIFITS



- Hot dip galvanized to avoid any corrosion.
- Available in 6, 8 and 12 meter height.
- Including electrical section for incoming power and coax cable.
- Provided with contra weights for perfect balance during pivotable action.
- Available for mounting in full ground or on concrete.
- Mast are constructed for minimum move at 7 Baufort

Options.

- **SW** = explosion proof lock. power switch
- **FIB-K** = Mounting kit for Fiber converters incl.extra glands in mast.
- **C** = Mast mount on concrete.
- **DOM** = Top mount for Dome camera.

Pivotable camera mast 6 meter

(Shown with movable camera model PR-MCC-002)



Lockable Power switch mounted at bottom part of pivotable mast at working level.

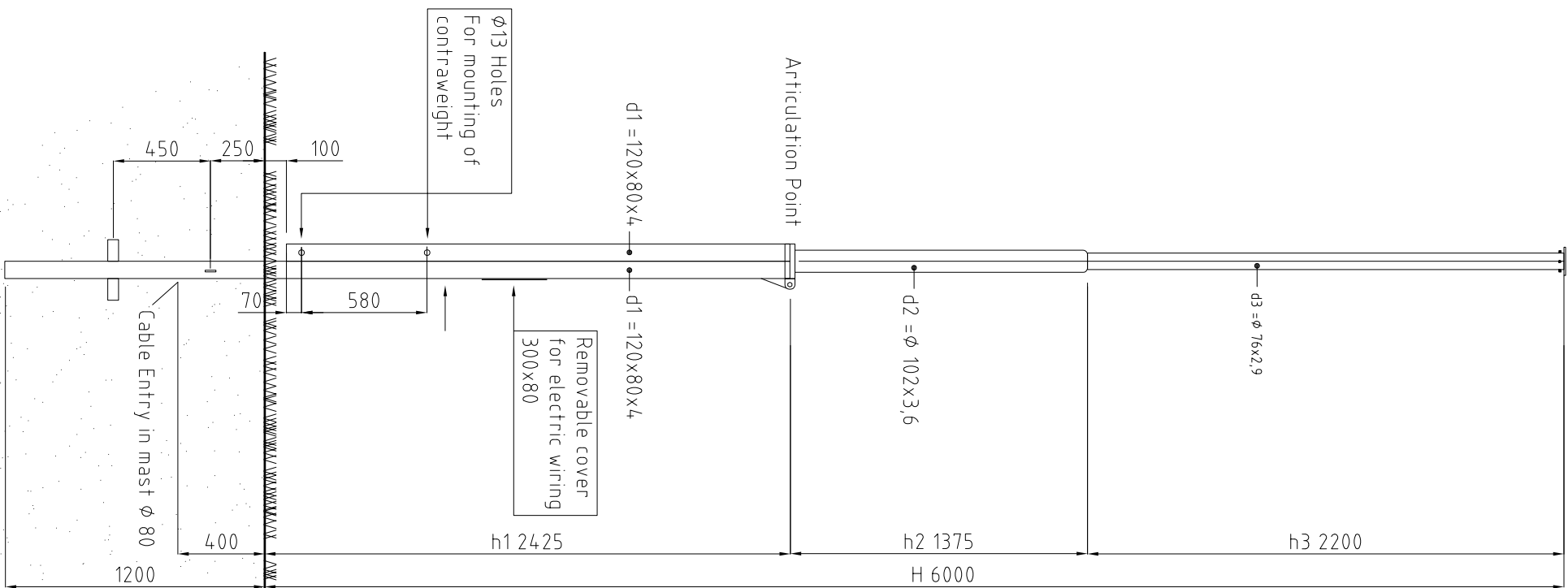
The pivotable camera masts are ideally for installation at any industrial place where no mounting facilities are available.

The pivotable camera mast are designed for minimum moving at a given camera weight and wind force.

The camera mast can be supplied as 6,8 and 12 meter height. When installing an explosion proof camera on the top of the mast a suitable size mast and contra weight will be supplied in order to compensate the extra weight of the explosion proof housings and moving mechanisms.

PIVOTABLE CAMERA MAST # MA-6

See Detail "A"



Cameramast is HOT-DIP GALVANISED as per ISO-1461
 An Optional Contra Weight can be added if the top Weight exceeds 10 kg.

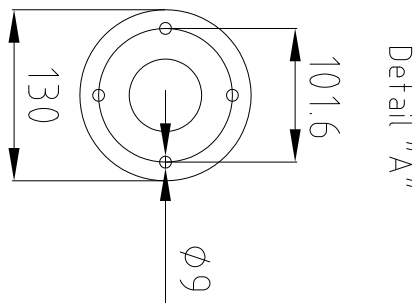
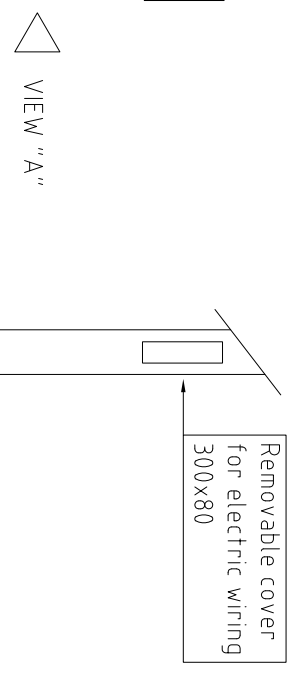
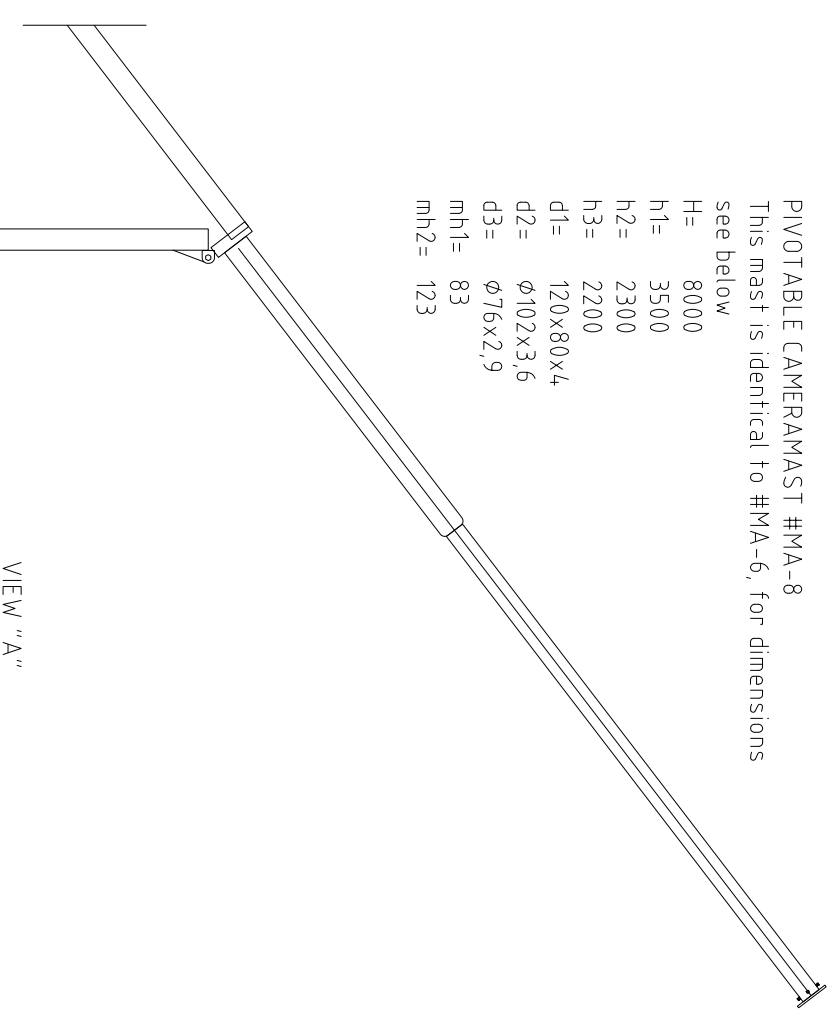
Explanation of Typens

- SW incl. Ex. proof lockable power switch on 1,5 Meter above ground incl Glands
- FIB-K incl. Mounting Kit for fiber converters incl Glands
- C incl. Mounting Plate for mounting on concrete floor (Detail "B")
- DOM incl. Top Mounting Bracket for mounting on Dome Camera
- MC incl. Marine Coating

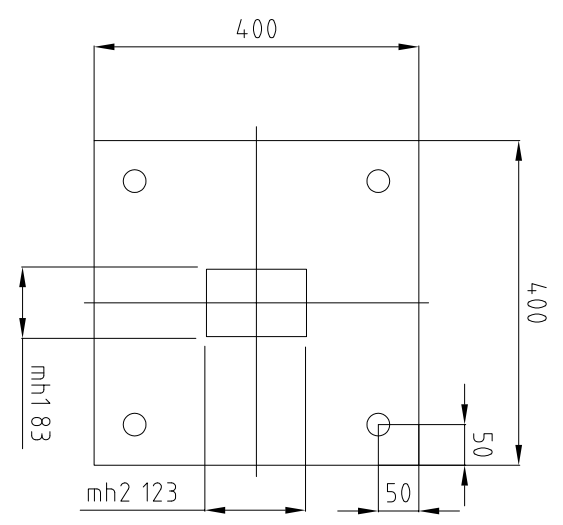
PIVOTABLE CAMERAMAST #MA-8

This mast is identical to #MA-6, for dimensions see below

- H= 8000
- h1= 3500
- h2= 2300
- h3= 2200
- d1= 120x80x4
- d2= ϕ 102x3,6
- d3= ϕ 76x2,9
- mh1= 83
- mh2= 123



Detail "B"
 Mounting Plate
 For Mounting
 On Concrete floor
 For Cameramast
 MA-6/C, MA-8/C, MA12/C



PIVOTABLE CAMERAMAST Model MA-6 & MA-8 OUTLINE DRAWING		PRONOR NV Gent		Belgium	
DRAWN	P. VERHELST	REVISIONS		DATE	CAD NAME
DATE	03-12-2009				
CHKD					
APPD					
PROJ.					
DRAWINGNUMBER factory 0000 plant 000 subj CAM srt M type O sheet 100			FORM.	A3	PAGE